

**SANITARY PRESSURE REDUCING VALVE
P130G**

DESCRIPTION

The ADCA P130G series direct acting, spring-loaded diaphragm sensing, balanced plug pressure reducing valves are designed for use with clean air, nitrogen, carbon dioxide, oxygen, argon and other gases or liquids compatible with the construction materials and valve design.

This valve is specifically designed for the high purity gas systems found in the pharmaceutical, cosmetic, fine chemical and food & beverage processes.

MAIN FEATURES

- Compact design.
- Completely machined from 316L stainless steel bar stock, no castings or forgings are used.
- FDA / USP Class VI compliant seals.
- Non-rising adjustment knob.

STANDARD SURFACE FINISH

- Internal wetted parts: ≤ 0,51 micron Ra – SF1.
- External: ≤ 0,76 micron Ra – SF3.
- Other surface conditions see IS PV20.00 E – Technical information.
- Ultrasonic cleaning.

- OPTIONS:**
- Self relieving.
 - Leakage line connection 1/8" (captured vent).
 - Gauge connection on body.
 - Different soft valves for liquids and gases.

- USE:**
- Clean air, nitrogen, carbon dioxide, oxygen, argon and other gases or liquids compatible with the construction.

- AVAILABLE MODELS:**
- P130G.

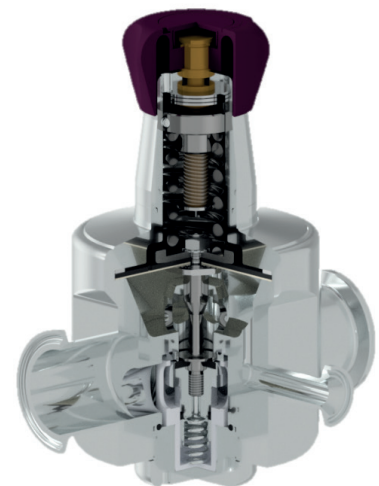
- SIZES:**
- 1 1/2"; DN 32 to DN 40.

- REGULATING RANGES:**
- 0,2 – 1,5 bar; 0,3 – 3 bar; 2 – 8 bar.

- CONNECTIONS:**
- ASME BPE, DIN and ISO clamp ferrules or tube weld (ETO) ends.
 - Others on request.

- PACKAGING:**
- Assembling and packaging in a clean room certified according to ISO 14644-1.
 - The product is end capped and sealed with recyclable thermo-shrinkable plastic film, to avoid contamination.

- INSTALLATION:**
- Horizontal installation recommended.
 - See IMI – Installation and maintenance instructions.



| LIMITING CONDITIONS | |
|------------------------------|--------------|
| Valve model | P130G |
| Body design conditions | PN 16 |
| Maximum upstream pressure | 16 bar |
| Maximum downstream pressure | 8 bar |
| Minimum downstream pressure | 0,2 bar |
| Maximum design temperature * | 150 °C |

* Others on request.

| CE MARKING – GROUP 2 (PED – European Directive) | |
|--|-----------------|
| PN 16 | Category |
| 1 1/2" – DN 32 to DN 40 | SEP |

FLOW RATE COEFFICIENTS (m³/h)

| SIZE | BPE | | | DIN | | | ISO | | |
|------|-------|-----|-----|-----------------|-----|-----|-------|-----|-----|
| | 11/2" | | | DN 32 and DN 40 | | | DN 32 | | |
| Kvs | 4,2 | 4,8 | 6,3 | 4,2 | 4,8 | 6,3 | 4,2 | 4,8 | 6,3 |

DIMENSIONS (mm) ASME BPE

| SIZE | A | B | C | D | d1 | d2 | E | F | H | WEIGHT (kg) * |
|-------|-----|----|-----|-----|----|-------|------|------|------|---------------|
| 11/2" | 148 | 48 | 140 | 100 | 25 | 15,75 | 78,5 | 50,5 | 34,8 | 4,99 |

* Valves with nylon adjustment knob weigh 0,3 kg less.

DIMENSIONS (mm) DIN

| SIZE | A | B | C | D | d1 | d2 | E | F | H | WEIGHT (kg) * |
|-------|-----|----|-----|-----|----|-------|------|------|----|---------------|
| DN 32 | 133 | 48 | 140 | 100 | 25 | 15,75 | 78,5 | 50,5 | 32 | 4,98 |
| DN 40 | 133 | 48 | 140 | 100 | 25 | 15,75 | 78,5 | 50,5 | 38 | 4,94 |

* Valves with nylon adjustment knob weigh 0,3 kg less.

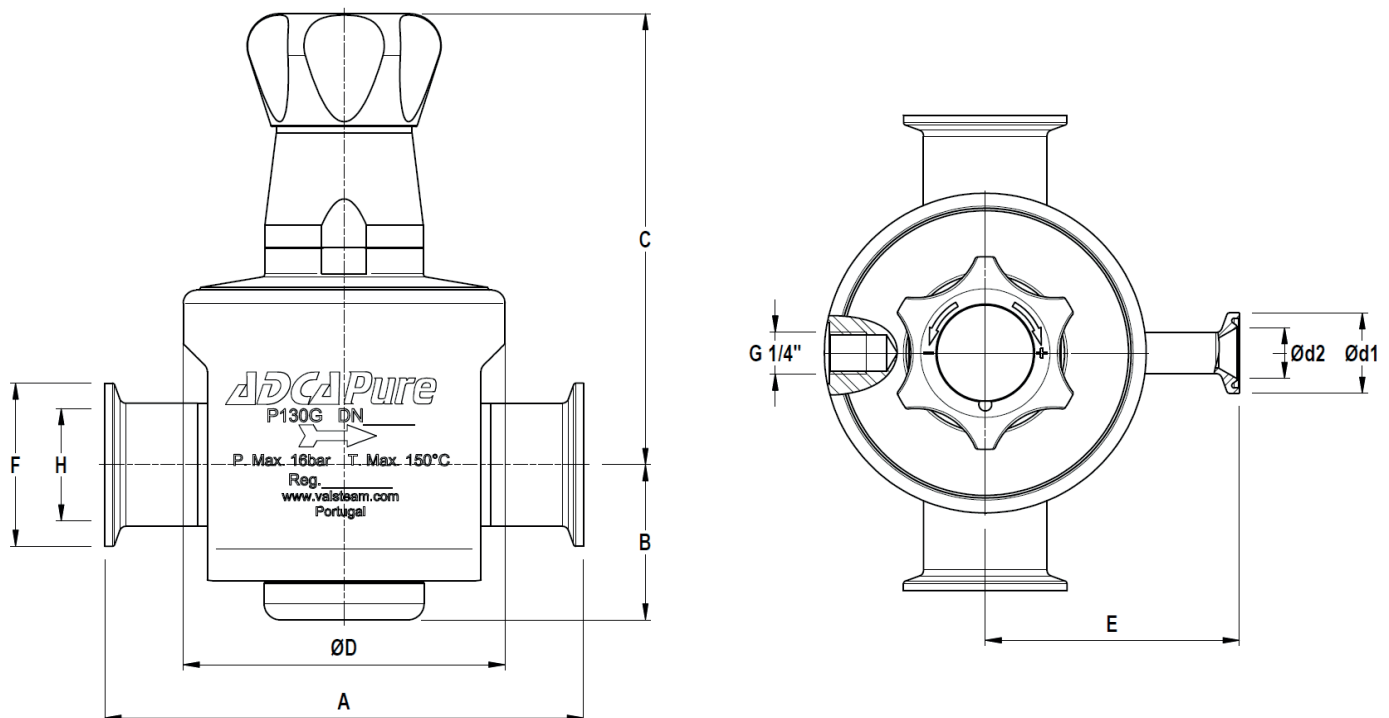
Remarks: Clamp ferrules according to DIN 32676-A; Tube weld (ETO) according to DIN 11866-A (DIN 11850-2).

DIMENSIONS (mm) ISO

| SIZE | A | B | C | D | d1 | d2 | E | F | H | WEIGHT (kg) * |
|-------|-----|----|-----|-----|----|-------|------|----|------|---------------|
| DN 32 | 133 | 48 | 140 | 100 | 25 | 15,75 | 78,5 | 64 | 42,4 | 5,1 |

* Valves with nylon adjustment knob weigh 0,3 kg less.

Remarks: Clamp ferrules according to DIN 32676-B; Tube weld (ETO) according to DIN 11866-B (ISO 1127).



Optional pressure gauge connection.

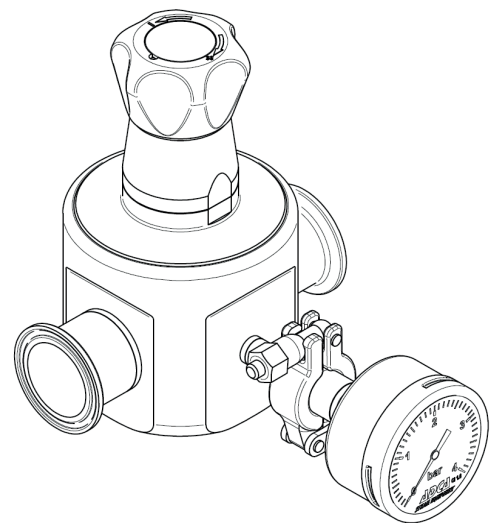
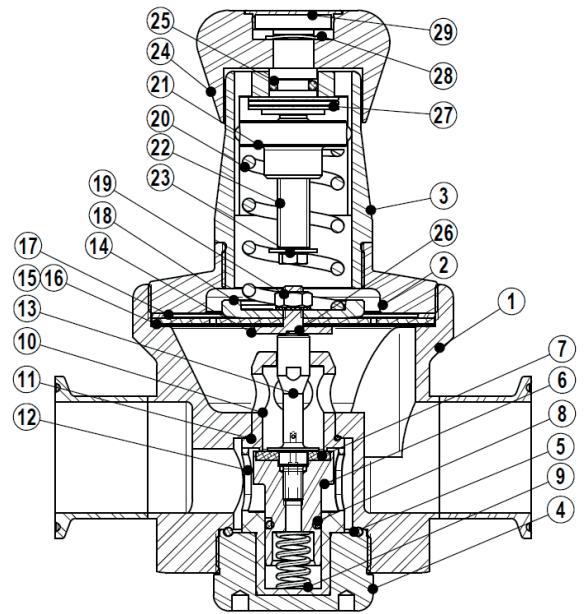
MATERIALS

| POS. N° | DESIGNATION | MATERIAL |
|---------|-----------------------|-----------------------------------|
| 1 | Valve body | AISI 316L / 1.4404 |
| 2 | Cover | AISI 316L / 1.4404 |
| 3 | Spring cover | AISI 316L / 1.4404 |
| 4 | Seat cover | AISI 316L / 1.4404 |
| 5 | * O-ring | EPDM |
| 6 | * Piston | AISI 316L / 1.4404 |
| 7 | * Valve head | AISI 316L / 1.4404 ; Viton ; PTFE |
| 8 | * O-ring | EPDM |
| 9 | * Valve spring | AISI 316 / 1.4401 electropolished |
| 10 | * Seat | AISI 316L / 1.4404 |
| 11 | * O-ring | EPDM |
| 12 | * Guide | TFM 1600 |
| 13 | * Stem | AISI 316L / 1.4404 |
| 14 | Pusher disc | AISI 316L / 1.4404 |
| 15 | * Lower diaphragm | PTFE (Gylon) |
| 16 | * Upper diaphragm | EPDM |
| 17 | Washer | AISI 304 / 1.4301 |
| 18 | Spring plate | AISI 304 / 1.4301 |
| 19 | Nut | Stainless steel A2-70 |
| 20 | * Adjustment spring | AISI 302 / 1.4300 |
| 21 | Spring plate | AISI 304 / 1.4301 |
| 22 | Adjustment screw | Brass |
| 23 | Retaining washer | Stainless steel A2-70 |
| 24 | Adjustment knob | AISI 316L / 1.4404 Nylon |
| 25 | O-ring | NBR |
| 26 | ** O-ring | EPDM |
| 27 | Bearing | Corrosion resistant steel |
| 28 | Ext. bowed shaft ring | Stainless steel |
| 29 | Cover nut | Plastic |

* Available spare parts ; ** If applicable.

Remarks: FDA / USP Class VI seals certificate on request.

All valves have a serial number. In case of non-standard valves, this number must be supplied if spare parts are ordered.



Optional pressure gauge connection.

| ORDERING CODES P130G | | | | | | | | | | | | | |
|--|------------|---|---|---|---|---|---|---|---|---|----|----|----|
| Valve model | P3G | 1 | 2 | T | M | X | I | X | X | X | DI | 32 | E |
| P130G – AISI 316L / 1.4404 diaphragm sensing pressure reducing valve | P3G | | | | | | | | | | | | |
| Regulating range | | | | | | | | | | | | | |
| 0,2 to 1,5 bar | | 1 | | | | | | | | | | | |
| 0,3 to 3 bar | | 2 | | | | | | | | | | | |
| 2 to 8 bar | | 3 | | | | | | | | | | | |
| Flow rate coefficient | | | | | | | | | | | | | |
| Kvs 4,2 | | 2 | | | | | | | | | | | |
| Kvs 4,8 | | 3 | | | | | | | | | | | |
| Kvs 6,3 | | 5 | | | | | | | | | | | |
| Diaphragm | | | | | | | | | | | | | |
| PTFE (Gylon) | | | | T | | | | | | | | | |
| EPDM (non-standard) | | | | E | | | | | | | | | |
| Seat material | | | | | | | | | | | | | |
| Metal to metal (non-standard) | | | | | M | | | | | | | | |
| EPDM | | | | | E | | | | | | | | |
| PTFE | | | | | T | | | | | | | | |
| FPM / Viton (FDA approval only) | | | | | V | | | | | | | | |
| Relieving | | | | | | | | | | | | | |
| Non-relieving | | | | | | X | | | | | | | |
| Relieving (only for non-dangerous gases) | | | | | | R | | | | | | | |
| Relieving with captured vent | | | | | | L | | | | | | | |
| Adjustment knob and top cap | | | | | | | | | | | | | |
| Stainless steel adjustment knob | | | | | | | I | | | | | | |
| Nylon adjustment knob | | | | | | | P | | | | | | |
| Top cap (adjustment screw with cover) | | | | | | | T | | | | | | |
| Gauge port options | | | | | | | | | | | | | |
| Without gauge ports | | | | | | | | X | | | | | |
| Tri-clamp gauge port on the left side (rel. to the flow direction) – downstream pressure | | | | | | | | 7 | | | | | |
| Tri-clamp gauge port on the right side (rel. to the flow direction) – downstream pressure | | | | | | | | 6 | | | | | |
| Tri-clamp gauge port on both sides – downstream pressure | | | | | | | | 5 | | | | | |
| Threaded gauge port on the left side (rel. to the flow direction) – downstream pressure – ISO 7 Rp 1/4" | | | | | | | | 4 | | | | | |
| Threaded gauge port on the right side (rel. to the flow direction) – downstream pressure – ISO 7 Rp 1/4" | | | | | | | | 3 | | | | | |
| Threaded gauge port on both sides – downstream pressure – ISO 7 Rp 1/4" | | | | | | | | 2 | | | | | |
| Threaded gauge port on the left side (rel. to the flow direction) – downstream pressure – 1/4" NPT | | | | | | | | W | | | | | |
| Threaded gauge port on the right side (rel. to the flow direction) – downstream pressure – 1/4" NPT | | | | | | | | Y | | | | | |
| Threaded gauge port on both sides – downstream pressure – 1/4" NPT | | | | | | | | Z | | | | | |
| Surface finish a) | | | | | | | | | | | | | |
| Standard surface finish | | | | | | | | | X | | | | |
| Mirror mechanical polished external surfaces (SF1) | | | | | | | | | P | | | | |
| Electropolished internal wetted parts (SF5) | | | | | | | | | E | | | | |
| Special features | | | | | | | | | | | | | |
| None | | | | | | | | | | | X | | |
| Degreased for oxygen | | | | | | | | | | | O | | |
| Pipe connection | | | | | | | | | | | | | |
| Clamp ferrule ASME BPE | | | | | | | | | | | | D | |
| Clamp ferrule DIN (DIN 32676-A) | | | | | | | | | | | | F | |
| Clamp ferrule ISO (DIN 32676-B) | | | | | | | | | | | | E | |
| Tube weld (ETO) according to ASME BPE | | | | | | | | | | | | DI | |
| Tube weld (ETO) according to DIN 11866-A (DIN 11850-2) | | | | | | | | | | | | FI | |
| Tube weld (ETO) according to DIN 11866-B (ISO 1127) | | | | | | | | | | | | EI | |
| Size | | | | | | | | | | | | | |
| DN 32 | | | | | | | | | | | | | 32 |
| 1 1/2" or DN 40 | | | | | | | | | | | | | 40 |
| Special valves / Extras | | | | | | | | | | | | | |
| Full description or additional codes have to be added in case of non-standard combination | | | | | | | | | | | | | E |

a) Consult IS PV20.00 for further details and other surface finish options.