



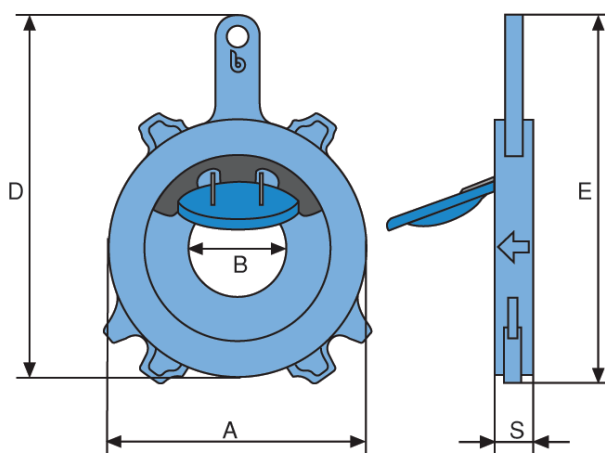
## Carbon Steel Swing Disc Wafer Check Valve

**16 – 25 BAR Rated**

Suitable for installation between PN16 - PN10 - PN25 - ASA 150 flanges  
Complies with 97/23/CE (PED) directive

| Article no.<br><b>Without Spring</b> | Size   | Pressure<br>BAR | Price<br>£       | Price<br>€       | Article no.<br><b>With Spring</b> | Size   | Pressure<br>BAR | Price<br>£     | Price<br>€     |
|--------------------------------------|--------|-----------------|------------------|------------------|-----------------------------------|--------|-----------------|----------------|----------------|
| <b>0643050</b>                       | 2"     | 25              | <b>£93.50</b>    | <b>€96.40</b>    | <b>M643050</b>                    | 2"     | 25              | <b>£114.00</b> | <b>€117.60</b> |
| <b>0643065</b>                       | 2 1/2" | 25              | <b>£106.10</b>   | <b>€109.40</b>   | <b>M643065</b>                    | 2 1/2" | 25              | <b>£129.90</b> | <b>€133.90</b> |
| <b>0643080</b>                       | 3"     | 25              | <b>£137.80</b>   | <b>€142.10</b>   | <b>M643080</b>                    | 3"     | 25              | <b>£166.30</b> | <b>€171.50</b> |
| <b>06430100</b>                      | 4"     | 25              | <b>£144.10</b>   | <b>€148.60</b>   | <b>M6430100</b>                   | 4"     | 25              | <b>£183.70</b> | <b>€189.50</b> |
| <b>06430125</b>                      | 5"     | 16              | <b>£205.90</b>   | <b>€212.40</b>   | <b>M6430125</b>                   | 5"     | 16              | <b>£253.40</b> | <b>€261.40</b> |
| <b>06430150</b>                      | 6"     | 16              | <b>£269.30</b>   | <b>€277.70</b>   | <b>M6430150</b>                   | 6"     | 16              | <b>£326.30</b> | <b>€336.50</b> |
| <b>06430200</b>                      | 8"     | 16              | <b>£435.60</b>   | <b>€449.20</b>   | <b>M6430200</b>                   | 8"     | 16              | <b>£511.60</b> | <b>€527.60</b> |
| <b>06430250</b>                      | 10"    | 16              | <b>£617.80</b>   | <b>€637.10</b>   | <b>M6430250</b>                   | 10"    | 16              | <b>£731.80</b> | <b>€754.70</b> |
| <b>06430300</b>                      | 12"    | 10              | <b>£966.20</b>   | <b>€996.40</b>   |                                   |        |                 |                |                |
| <b>06430350</b>                      | 14"    | 10              | <b>£1,267.20</b> | <b>€1,306.80</b> |                                   |        |                 |                |                |
| <b>06430400</b>                      | 16"    | 10              | <b>£2,059.20</b> | <b>€2,123.60</b> |                                   |        |                 |                |                |

Standard = with NBR Nitril O ring      On request with Viton O rings



### Dimensions (mm) & Weight (Kg)

| DN | 50   | 65   | 80   | 100  | 125 | 150  | 200 | 250  |
|----|------|------|------|------|-----|------|-----|------|
| A  | 99   | 118  | 134  | 154  | 184 | 208  | 264 | 317  |
| B  | 33.3 | 43   | 53   | 75   | 96  | 118  | 164 | 200  |
| S  | 18.5 | 18.5 | 22   | 23.5 | 29  | 34.5 | 36  | 38   |
| D  | 148  | 166  | 182  | 208  | 242 | 269  | 327 | 387  |
| E  | 151  | 170  | 188  | 223  | 257 | 286  | 335 | 387  |
| Kg | 0.82 | 1.25 | 1.86 | 2.42 | 3.1 | 5.23 | 8.5 | 12.4 |

### Opening pressure (mmH<sub>2</sub>O) in all positions (with spring)

| DN | 50  | 65  | 80  | 100 | 125 | 150 | 200 | 250 |
|----|-----|-----|-----|-----|-----|-----|-----|-----|
| ↓  | 60  | 60  | 45  | 40  | 30  | 30  | 30  | 30  |
| ↑  | 200 | 200 | 200 | 180 | 230 | 230 | 240 | 260 |
| ↔  | 130 | 130 | 120 | 110 | 130 | 130 | 140 | 140 |