



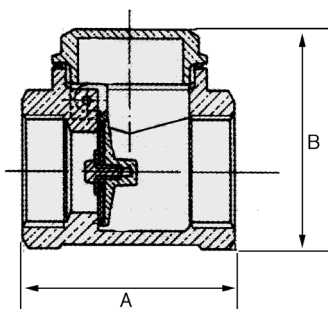
# BRASS SWING CHECK VALVES

8 – 12 BAR Rated – Single Acting Check Valve – Series ART 130

Article no. RUBBER SEAT NBR	Article no. METAL SEAT	Size BSP	Max Pressure BAR	Kv Value M3/HR	Price £	Price €
10080	10080M	3/8"	12	-	£10.20	€10.50
10081	10081M	1/2"	12	3.60	£9.50	€9.80
10082	10082M	3/4"	12	9.50	£13.20	€13.60
10083	10083M	1"	12	23	£19.10	€19.70
10084	10084M	1 1/4"	10	35	£28.40	€29.30
10085	10085M	1 1/2"	10	56	£37.20	€38.30
10086	10086M	2"	10	86	£52.00	€53.70
	10087	2 1/2"	8	222	£106.10	€109.40
	10088	3"	8	360	£146.50	€151.10
	10089	4"	8	540	£262.50	€270.70

## Technical Specifications

Brass Construction  
Temp Range = -20°C to +110°C  
Available with NITRIL soft seat up to size 2" as standard



## Dimensions – Series ART 130

Size	BSP	3/8"	1/2"	3/4"	1"	1 1/4"	1 1/2"	2"	2 1/2"	3"	4"
A	mm	43	43	52	62	72	81	94	119	134	169
B	mm	50	50	59.5	68	77	88	100	128	148	185



# STAINLESS STEEL SWING CHECK VALVES

200 PSI Rated – Single Acting Check Valve

Article no. BSP	Size BSP	Price £	Price €
710081	1/2"	£28.20	€33.80
710082	3/4"	£34.90	€41.90
710083	1"	£60.50	€72.70
710084	1 1/4"	£77.20	€92.70
710085	1 1/2"	£97.60	€117.20
710086	2"	£141.70	€170.10
710087	3"	£629.70	€755.60

## Technical Specifications

Temp Range = -30°C to +200°C

## Dimensions

Size	BSP	1/4"	3/8"	1/2"	3/4"	1"	1 1/4"	1 1/2"	2"
A	mm	66	66	66	81	91	106.5	121	142
B	mm	46	46	46	54	60	72	75	82

