



RD40 SPRUNG DISC CHECK VALVE

Suitable for ANSI and EN Flanges

- Low pressure drop.
- Simple and compact design.
- Overall lengths according to DIN 3202 part 3-K4

Connections Sandwiched between flanges as per EN 1092 or ANSI.
 Installation Horizontal or vertical installation.
 Rating PN 16 / PN 25 / PN 40

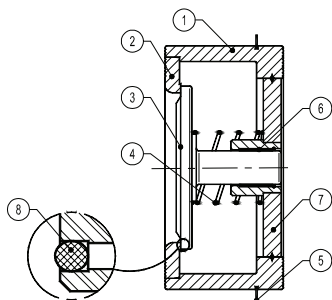


316 Stainless Steel

Materials

- | | | |
|-----|------------|-------------------------------------|
| 1 | Valve body | CF8M / 1.4408 |
| 2 * | Disc | AISI316 / 1.4401 |
| 3 * | Spring | AISI302 / 1.4300 |
| 4 | Star | AISI316 / 1.4401 |
| 6 * | Soft seal | PTFE/VITON/EPDM/NITRIL – On Request |
- * Available spare parts

Article no.	Size	Max Pressure BAR	Price £	Price €
316 SS				
445630	1/2"	40	£78.70	€81.20
445631	3/4"	40	£107.50	€110.90
445632	1"	40	£110.60	€114.00
445633	1 1/4"	40	£147.10	€151.70
445634	1 1/2"	40	£183.20	€188.90
445635	2"	40	£250.90	€258.80
445636	2 1/2"	40	£366.30	€377.80
445637	3"	40	£500.90	€516.60
445638	4"	25	£732.10	€755.00



CE Marking (PED - European Directive 97/23/EC)

PN 25	PN 40	Category
DN15 to DN40	DN15 to DN25	SEP - Article 3, paragraph 3.
DN50 to DN100	DN32 to DN80	Category 1 (CE marked).
-	DN100	Category 1 (CE marked).

Carbon Steel

Materials

- | | | |
|----|-------------|-------------------------------------|
| 1 | Valve body | S355J2G3/1.0570 |
| 2 | Seat | AISI316 / 1.4401 |
| 3* | Disc | AISI316 / 1.4401 |
| 4* | Spring | AISI302 / 1.4300 |
| 5 | Centre ring | AISI304 / 1.4301 |
| 6 | Bearing | Steel Fe Zn |
| 7 | Star | S355J2G3/1.0570 |
| 6* | Soft seal | PTFE/VITON/EPDM/NITRIL – On Request |
- * Available spare parts

Article no.	Size	Max Pressure BAR	Price £	Price €
CS				
348401	5"	16	£1,729.20	€1,783.20
348402	6"	16	£2,172.90	€2,240.80
348403	8"	16	£3,366.70	€3,471.90

CE Marking (PED - European Directive 97/23/EC)

PN 10/16	PN 25	PN 40	Category
DN125 to DN200	DN125	-	Category 1 (CE marked).
-	DN150 to DN200	DN125	Category 2 (CE marked).
-	-	DN150 to DN200	Category 3 (CE marked).

Dimensions

316 Stainless Steel

DN	DN1	DN2	L	Kg
15	43	50	17	0.18
20	53	60	20	0.2
25	64	70	23	0.25
32	75	81	28	0.5
40	86	91	32	0.7
50	96	105	40	1.3
65	115	126	46	1.7
80	132	141	50	2.8
100	152	167	60	4.5

Dimensions

Carbon Steel

DN	DN1	DN2	DN2	DN2	DN2	L	Kg
	PN10/16	PN25	PN40	ANSI150	ANSI300		
125	192	192	192	192	192	90	11
150	218	226	226	226	226	106	13.5
200	273	286	293	286	286	140	24

