

# STAINLESS STEEL SWING DISC WAFER CHECK VALVE

16 – 25 BAR Rated

Suitable for installation between PN16 – PN10 – PN25 – ASA 150 flanges  
Complies with 97/23/CE (PED) directive



## Technical Data

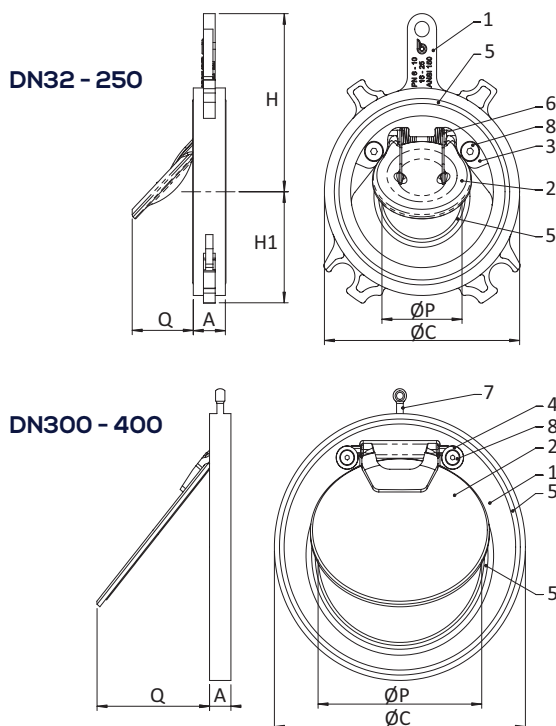
Cracking pressure 0.3 bar  
Temperature range (viton) -20 to 150°C

Article no.	Size	Pressure BAR	Price £	Price €
<b>Without Spring</b>				
0662232	11/4"	25	£142.40	€146.90
0662240	11/2"	25	£156.80	€161.70
0662250	2"	25	£203.20	€209.60
0662265	2 1/2"	25	£265.60	€273.90
0662280	3"	25	£307.20	€316.80
06622100	4"	25	£368.00	€379.50
06622125	5"	25	£507.20	€523.10
06622150	6"	25	£627.20	€646.80
06622200	8"	25	£934.40	€963.60
06622250	10"	16	£1,547.20	€1,595.60
06622300	12"	16	£3,011.20	€3,105.30
06622350	14"	16	£4,241.60	€4,374.20
06622400	16"	16	£5,204.80	€5,367.50
<b>With Spring</b>				
M662232	11/4"	25	£158.40	€163.40
M662240	11/2"	25	£172.80	€178.20
M662250	2"	25	£224.00	€231.00
M662265	2 1/2"	25	£289.60	€298.70
M662280	3"	25	£336.00	€346.50
M6622100	4"	25	£408.00	€420.80
M6622125	5"	25	£555.20	€572.60
M6622150	6"	25	£684.80	€706.20
M6622200	8"	25	£1,011.20	€1,042.80
M6622250	10"	16	£1,662.40	€1,714.40

Standard = with Viton O rings

## Materials

1 Body	Stainless steel ASTM A351 gr. CF8M
2 Disc	Stainless steel ASTM A351 gr. CF8M
3 Plate DN 32-250	Stainless steel ASTM A351 gr. CF8M
4 Plate DN 300-400	Stainless steel AISI 316
5 O-ring	NBR, FKM (Viton®)
6 Spring	Stainless steel AISI 302
7 Eyebolt	Stainless steel AISI 316
8 Screw	Stainless steel A2



## Dimensions (mm)

DN	32 (1 1/4")	40 (1 1/2")	50 (2")	65 (2 1/2")	80 (3")	100 (4")	125 (5")	150 (6")	200 (8")	250 (10")	300 (12")	350 (14")	400 (16")
P	20	26.5	33	43	53	75	96	118	164	200	245	284	323
A	16	16	18.5	18.5	22	23.5	29	34.5	36	38	32	38	42
C	77	86.5	99	118	134	154	184	208	264	317	380	440	490
H	83.5	88.75	98.5	107	115	131	138	137	169	247	-	-	-
H1	45	49	63	63	73	92	119	149	167	140	-	-	-
Q*	21	24	36	49	58	77	95	117	151	183	243	260	306
Kg	0.43	0.54	0.82	1.25	1.86	2.42	3.1	5.3	8.5	12.4	17.6	27.8	36.1

\*For information maximum dimension. Actual dimension depend on pipe dimension.

## Flange Compatibility Chart

DN	32	40	50	65	80	100	125	150	200	250	300	350	400
PN6 EN1092-1	✓	✓	✓	✓	✓	✓	✓	✓	✓	✓	✗	✗	✗
PN10 EN1092-1	✓	✓	✓	✓	✓	✓	✓	✓	✓	✓	✓	✓	✓
PN16 EN1092-1	✓	✓	✓	✓	✓	✓	✓	✓	✓	✓	✓	✓	✓
PN25 EN1092-1	✓	✓	✓	✓	✓	✓	✓	✓	✓	✓	✗	✗	✗
ANSI 150 ANSI B16.5	si FF(1)	si FF(1)	✓	✓	✓	✓	✓	✓	✓	✓	✗	✗	✗

(1) Flat face only