



WCB CAST STEEL SWING CHECK VALVE

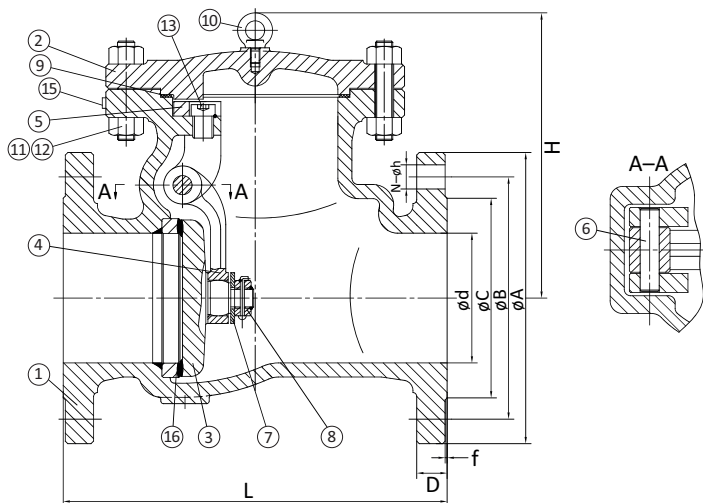
ANSI 150

Article no.	Size	Price £	Price €
562735	2"	£434.80	€521.70
562736	3"	£660.90	€793.00
562737	4"	£935.70	€1,122.80
562738	6"	£1,429.60	€1,715.50

Technical Data

Basic design	API 6D
Face to face	ASME B16.10
Flange ends dimension	ASME B16.5
Test & inspection	API 598
Test duration time	API 6D
Nace	MR-0175
Design temperature	-29 to 427°C
Painting system	Manufacturers standard GMS TP 102.02 002

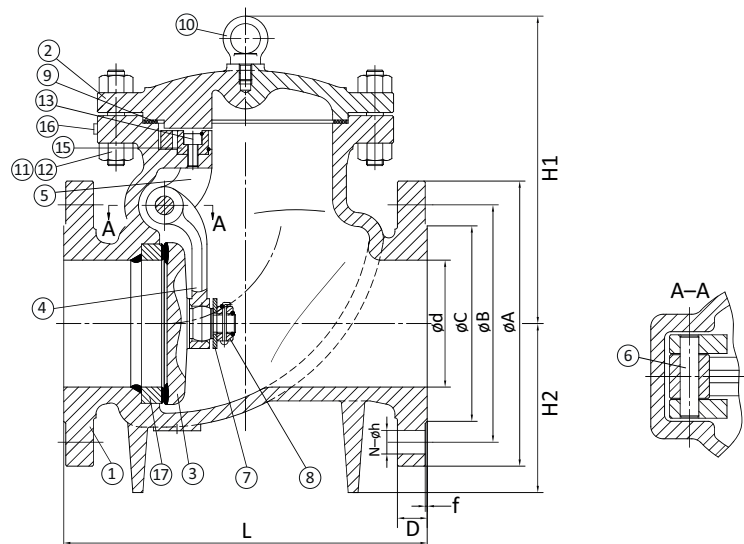
Dimensions (mm) - 2" to 4"



Materials - 2" to 4"

1 Body	ASTM A216 WCB
2 Bonnet	ASTM A216 WCB
3 Disc	ASTM A182 F6A
4 Swing arm	ASTM A351 CF8M
5 Hinge	ASTM A351 CF8M
6 Hinge pin	ASTM A276 410
7 Disc washer	ASTM A276 410
8 Disc nut	ASTM A194 8
9 Gasket	304ss + flexible graphite
10 Hook screw	ASTM A1020
11 Bonnet bolt	ASTM A193 B7
12 Bonnet nut	ASTM A194 2H
13 Stud	ASTM A193 B8
15 Nameplate	Stainless Steel
16 Seat	ASTM A105N+Stellite

Dimensions (mm) - 6"



Materials - 6"

1 Body	ASTM A216 WCB
2 Bonnet	ASTM A216 WCB
3 Disc	ASTM A216 WCB+13Cr
4 Swing arm	ASTM A216 WCB
5 Hinge	ASTM A216 WCB
6 Hinge pin	ASTM A276 410
7 Disc washer	ASTM A276 410
8 Disc nut	ASTM A194 8
9 Gasket	304ss + flexible graphite
10 Hook screw	ASTM A1020
11 Bonnet bolt	ASTM A193 B7
12 Bonnet nut	ASTM A194 2H
13 Stud	ASTM A193 B8
15 Stop plate	ASTM A276 410
16 Nameplate	Stainless Steel
17 Seat	ASTM A105N+Stellite

Size	ød	L	H	H1	H2	FLANGE						Weight Kg	
						øA	øB	øC	D	f	N		øh
2"	51	203	179	-	-	152	120.7	92.1	16.2	2	4	19	15
3"	76	241	220	-	-	190	152.4	127	24.3	2	4	19	30
4"	102	292	247	-	-	229	190.5	157.2	24.3	2	8	19	50
6"	152	356	-	302	160	279	241.3	215.9	25.9	2	8	22	75