



RETURN FILTER - RD

Pressure (ISO 10771-1:2002)

Max working: 2 MPa (20 bar)
 Test: 3 MPa (30 bar)
 Bursting: 6 MPa (60 bar)
 Collapse, differential for the filter element (ISO 2941): 1 MPa (10 bar)

Bypass Valve

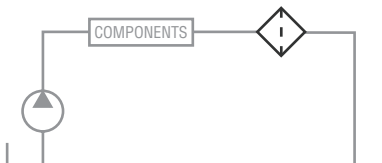
Setting: 300 kPa (3 bar) ± 10%

Working Temperature

From -25° to +110° C

Compatibility (ISO 2943:1999)

Full with fluids: HH-HL-HM-HV-HTG (according to ISO 6743/4)
 For fluids different than the above mentioned, please contact our Sales Department.



Application Example



Materials

Cover & housing (11 to 51): Anodized aluminium alloy
 For 61&62 only: Cover: anodized aluminium alloy
 Housing: steel
 Bypass valve: Polyamide
 Seals: NBR Nitrile (FKM - on request fluoroelastomer)
 Indicator housing: Brass

Prices on Request

Ordering Codes - Element

E		Element													
R	D			Family, Nominal Size, Length	11	21	31	41	51	61	62				
		Seals													
		N = NBR Nitrile							N	N	N	N	N	N	N
		F = FKM Fluoroelastomer							F	F	F	F	F	F	F
		Filter Media													
		CC = Cellulose 10µm β>2							CC	CC	CC	CC	CC	CC	CC
		CD = Cellulose 25µm β>2							CD	CD	CD	CD	CD	CD	CD
		FA = Fibre 5µm _(c) β>1.000							FA	FA	FA	FA	FA	FA	FA
		FB = Fibre 7µm _(c) β>1.000							FB	FB	FB	FB	FB	FB	FB
		FC = Fibre 12µm _(c) β>1.000							FC	FC	FC	FC	FC	FC	FC
		FD = Fibre 21µm _(c) β>1.000							FD	FD	FD	FD	FD	FD	FD
		MD = wire mesh 25µm							MD	MD	MD	MD	MD	MD	MD
		ME = wire mesh 60µm							ME	ME	ME	ME	ME	ME	ME
		WR = water removal (*)							-	-	WR	WR	WR	WR	WR

(*) water removal media - see Hydro-dry brochure

RETURN FILTER - RD

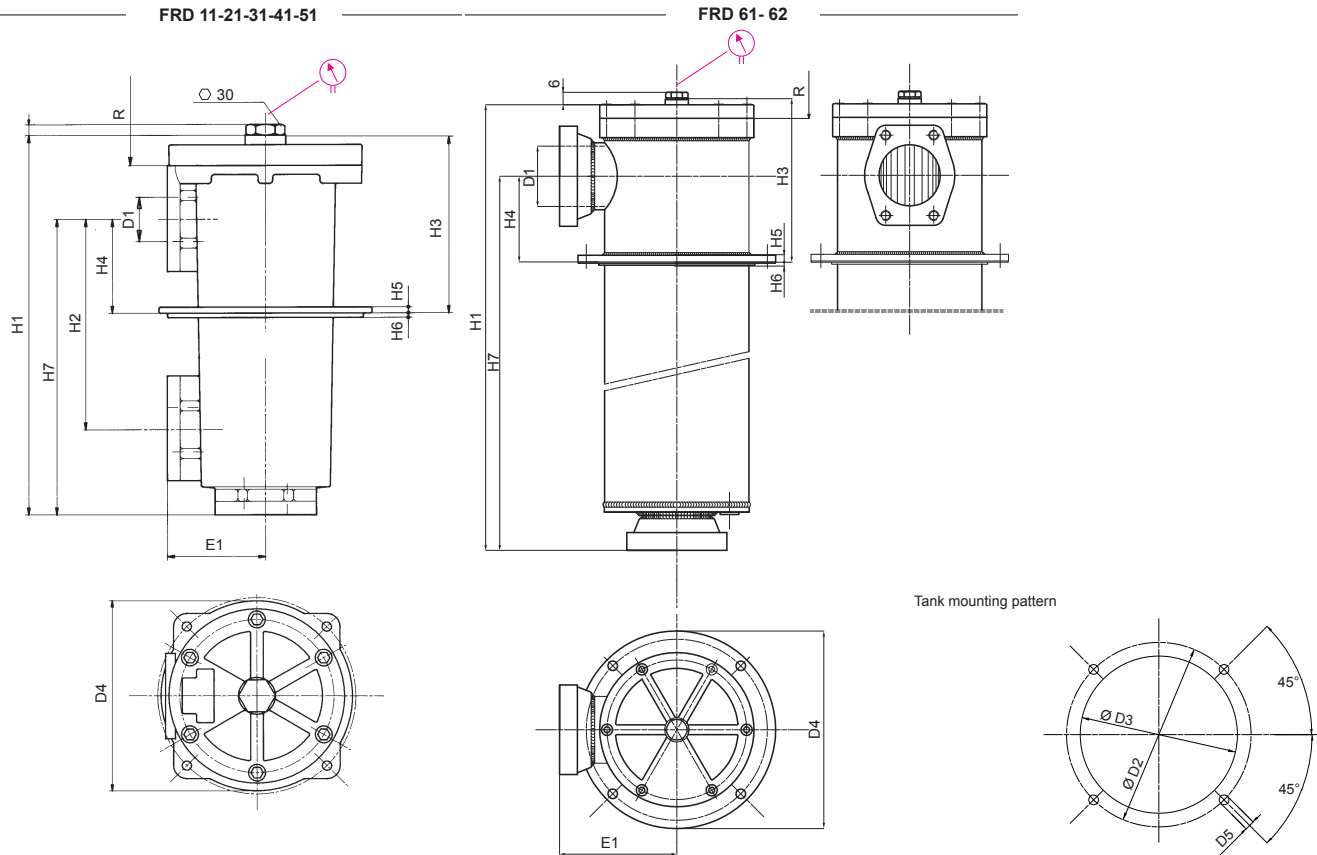
Ordering Codes - Filter



<input type="checkbox"/>		Type							
		F = Filter Complete	F	F	F	F	F	F	F
		B = Filter Housing	B	B	B	B	B	B	B
<input type="checkbox"/>	<input type="checkbox"/>	Family, Nominal Size, Length	11	21	31	41	51	61	62
<input type="checkbox"/>	<input type="checkbox"/>	Port Type							
		B = BSP thread	B	B	B	B	B	-	-
		N = NPT thread	N	N	N	N	N	-	-
		S = SAE thread	S	S	S	S	S	-	-
		F = SAE flanged 3000 psi, metric screws	-	-	F	F	F	F	F
<input type="checkbox"/>	<input type="checkbox"/>	Port Size							
		04 = 1/2"	04	-	-	-	-	-	-
		06 = 3/4"	-	06	-	-	-	-	-
		08 = 1"	-	-	08	-	-	-	-
		12 = 1 1/2"	-	-	-	12	-	-	-
		20 = 2 1/2"	-	-	-	-	20	-	-
		28 = 3 1/2"	-	-	-	-	-	28	-
		32 = 4"	-	-	-	-	-	-	32
<input type="checkbox"/>	<input type="checkbox"/>	Bypass Valve							
		W = without	W	W	W	W	W	W	W
		D = 300 kPa (3 bar)	D	D	D	D	D	D	D
<input type="checkbox"/>	<input type="checkbox"/>	Seals							
		N = NBR Nitrile	N	N	N	N	N	N	N
		F = FKM Fluoroelastomer	F	F	F	F	F	F	F
<input type="checkbox"/>	<input type="checkbox"/>	Filter Media							
		CC = Cellulose 10µm β>2	CC	CC	CC	CC	CC	CC	CC
		CD = Cellulose 25µm β>2	CD	CD	CD	CD	CD	CD	CD
		FA = Fibre 5µm _(c) β>1.000	FA	FA	FA	FA	FA	FA	FA
		FB = Fibre 7µm _(c) β>1.000	FB	FB	FB	FB	FB	FB	FB
		FC = Fibre 12µm _(c) β>1.000	FC	FC	FC	FC	FC	FC	FC
		FD = Fibre 21µm _(c) β>1.000	FD	FD	FD	FD	FD	FD	FD
		MD = wire mesh 25µm	MD	MD	MD	MD	MD	MD	MD
		ME = wire mesh 60µm	ME	ME	ME	ME	ME	ME	ME
		WR = water removal (*)	-	-	WR	WR	WR	WR	WR
<input type="checkbox"/>	<input type="checkbox"/>	Clogging Indicator							
		03 = port, plugged	03	03	03	03	03	03	03
		5C = visual differential 200 kPa (2 bar)	5C	5C	5C	5C	5C	5C	5C
		6C = electrical differential 200 kPa (2 bar)	6C	6C	6C	6C	6C	6C	6C
		7C = indicator 6C with LED	7C	7C	7C	7C	7C	7C	7C
		T1 = elect. diff. 200 kPa (2bar) with thermostat 30°C	T1	T1	T1	T1	T1	T1	T1
<input type="checkbox"/>	<input type="checkbox"/>	Accessories XX = no access available	XX	XX	XX	XX	XX	XX	XX

(*) water removal media - see Hydro-dry brochure

RETURN FILTER - RD

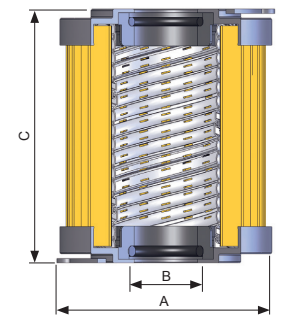


Dimensions (mm) - FILTER HOUSING

	D1	D2	D3	D4	D5	E1	H1	H2	H3	H4	H5	H6	H7	R	kg
FRD11	1/2"	95	85	90	M5	43	160	62.5	96	31.5	4	3	96	105	1.3
FRD21	3/4"	138	123	128	M6	57	191	105	100	52	6	3	145	110	2.6
FRD31	1"	154	137	147	M6	67	250	140	117	63	8	4	197	155	3.7
FRD41	1 1/2"	180	164	174	M8	82	323	177	155	82	8	4	269	240	6.5
FRD51	2 1/2"	275	239	254	M10	117.5	420	218	192	91	10	8	320	275	14.2
FRD61	3 1/2"	275	239	300	M12	178	673	-	248	130	10	5	-	525	49.0
FRD62	4"	275	239	300	M12	178	1108	-	423*	255	10	5	-	1020	70.0

* Adjustable for RD62 only - loose flange (to be welded)

Dimensions (mm) - FILTER ELEMENT



	A	B	C	kg	Area (cm ²) media F+	Area (cm ²) media C+
ERD11	52	28/24	70	0.10	310	380
ERD21	70	34	85	0.20	620	990
ERD31	70	34	130	0.25	1,000	1,600
ERD41	99	51	211	0.70	3,800	4,280
ERD51	130	74	251	1.50	7,930	8,350
ERD61	130	74/85	500	2.00	16,720	17,600
ERD62	143	96.3	896	3.80	40,000	40,000