

INSTALLATION AND MAINTENANCE INSTRUCTIONS

BM - BIMETALIC STEAM TRAPS

BSS20 – BM20 – BM24 – BM32

GENERAL

- These instructions must be carefully read before any work involving products supplied by VALSTEAM ADCA ENGINEERING S.A. is undertaken.
-
- The installation procedure is a critical stage in a life of a steam trap and care should be taken to avoid damage to the trap or equipment.

Warning!

- At start up, the presence of small particles in the water (dirt, scale, weld splatters, etc) may cause an unperfected closure of the seat. If this occurs, proceed to an accurate cleaning.
- Do not touch the equipment without appropriate protection during working operation because it may conduct heat if the used fluid is at high temperature.
- Before starting maintenance be sure that the equipment is not pressurized or hot.
- The equipments must be used within the working temperature and pressure limits laid down for them, otherwise they may fail (refer to nameplate and/or IS- Information Sheet).
- Do not remove the nameplate attached to the equipment. Serial number and other useful information is stamped on it.

INSTALLATION



- Before to install remove plastic covers placed on flanges or connection ends. The equipment has an arrow or Inlet/Outlet designations. Be sure that it will be installed on the appropriate direction.
- Install the steam trap in the point of the system, where the condensate tends to collect. It can be installed in any position. An ADCA strainer can be installed upstream of the trap as additional protection.

BODY LIMITING CONDITIONS - BSS20	
THREADED PN40	RELATED TEMP.
ALLOW. PRES.	
34,4 bar	100 °C
30,8 bar	150 °C
28 bar	200 °C
26 bar	250 °C

BODY LIMITING CONDITIONS - BM 20 - BM 24 - BM 32		
FLANGED PN40 / ANSI 300 *	FLANGED ANSI 150 **	RELATED TEMP.
ALLOW. PRES.	ALLOW. PRES.	
40 bar	19,3 bar	50 °C
35 bar	15,8 bar	150 °C
30,4 bar	12,1 bar	250 °C
27,6 bar	10,2 bar	300 °C

* According to EN 1092-1:2007 ; ** Acc. to EN 1759-1:2004

Body limiting conditions PN40 or below, depending on the type of connection adopted. Rating PN40 for thread, SW and BW.

LIMITING CONDITIONS	BSS22	BM20	BM24	BM32
PMO: Max. allowable pressure	20 bar	17 bar	24 bar	32 bar
TMO: Max. allowable temperature	250 °C	250 °C	250 °C	300 °C

MAINTENANCE

- We recommend that the steam traps are serviced as necessary. Steam traps should be checked periodically (at least yearly), to verify that they are operating correctly and to clean the internal parts and strainer screen.
- When reassembling make sure that all gasket faces are clean and always use a new gasket. Tighten cover bolts uniformly in a diagonal sequence.
- For further information refer to the relevant IS (Information Sheet) or consult our Sales Office.

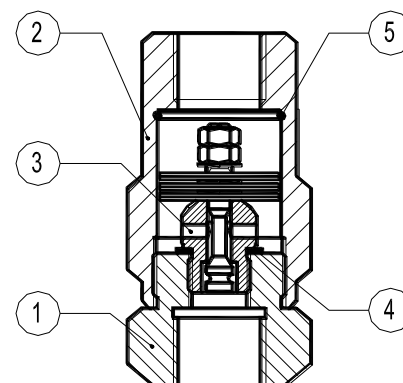
CE Marking:

This product has been designed for use on steam and water which are in Group 2 of the European PED-Pressure Equipment Directive and it complies with those requirements.

The product fall within category SEP and must not be CE marked.

PARTS LIST FOR BSS 20:

CODE	DESIGNATION	TRAP SIZE DN	POS.NR.	QTY.
A.95.5010.015	Valve regulator & gasket	1/2"	3	1 set
A.95.5010.115	Strainer screen	1/2"	5	1 set

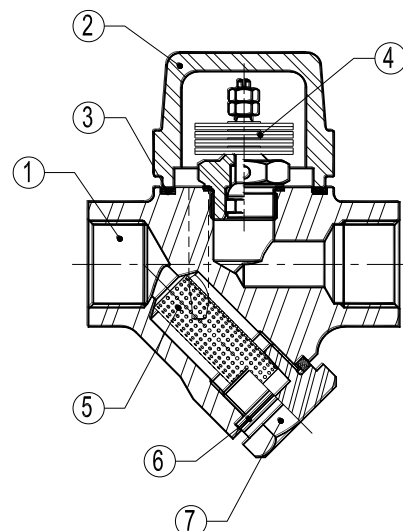

Recommended tightening torques:

POS.NR.	TRAP SIZE DN	Nm
1-2	1/2"	140
3	1/2"	50-55

Remarks: Tighten cover bolts uniformly.

PARTS LIST FOR BM 20:

CODE	DESIGNATION	TRAP SIZE DN	POS.NR.	QTY.
A.95.5081.015	Valve regulator & gasket	1/2" - 1"	3, 4	1 set
A.95.5081.115	Strainer screen & gasket	1/2" - 1"	5, 6	1 set
A.95.5081.215	Cover gasket	1/2" - 1"	3	1 set


Recommended tightening torques:

POS.NR.	TRAP SIZE DN	Nm
4	1/2" - 3/4"	120
7	1/2" - 3/4"	50

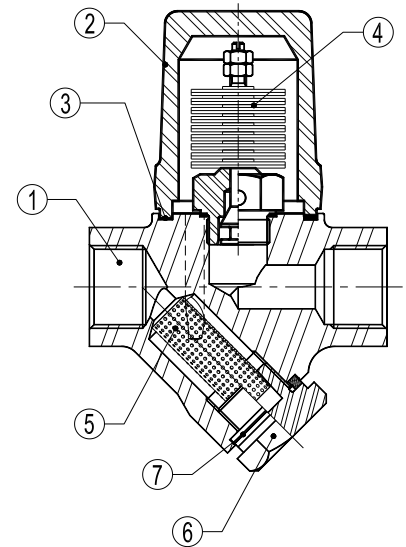
Remarks: Tighten cover bolts uniformly.

PARTS LIST FOR BM 24 DN1/2"-1":

CODE	DESIGNATION	TRAP SIZE DN	POS.NR.	QTY.
A.95.5024.015	Valve regulator & gasket	1/2" - 1"	3, 4	1 set
A.95.5024.115	Strainer screen & gasket	1/2" - 1"	5, 7	1 set

Recommended tightening torques:

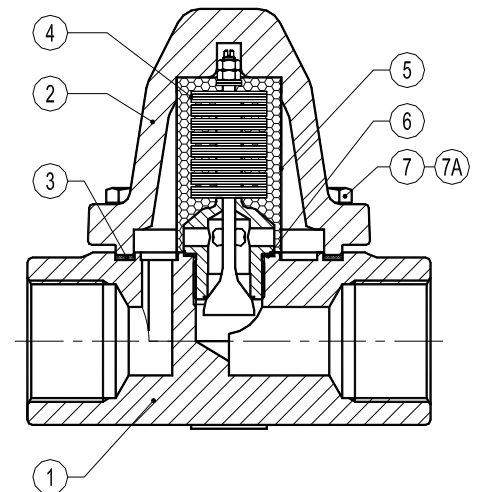
POS.NR.	TRAP SIZE DN	Nm
4	1/2" - 1"	120
6	1/2" - 1"	50

Remarks: Tighten cover bolts uniformly.

PARTS LIST FOR BM 24 DN40-50:

CODE	DESIGNATION	TRAP SIZE DN	POS.NR.	QTY.
A.95.5024.040	Valve regulator & gasket	1 1/2"-2"	3, 4	1 set
A.95.5024.140	Strainer screen & gasket	1 1/2"-2"	5, 6	1 set
A.95.5032.240	Cover gasket	1 1/2"-2"	3	1 set

Recommended tightening torques:

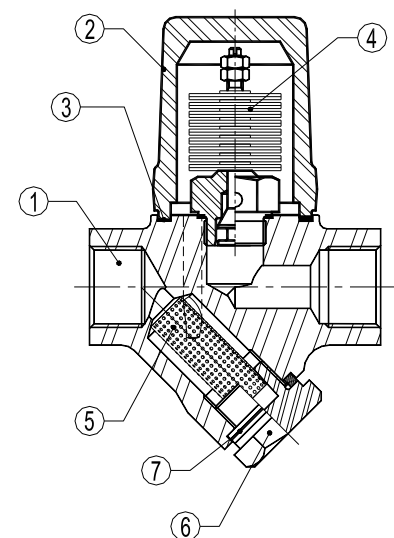
POS.NR.	TRAP SIZE DN	Nm
7	1 1/2" - 2"	120

Remarks: Tighten cover bolts uniformly.

PARTS LIST FOR BM 32 DN1/2"-1":

CODE	DESIGNATION	TRAP SIZE DN	POS.NR.	QTY.
A.95.5032.015	Valve regulator & gasket	1/2" - 1"	3, 4	1 set
A.95.5032.115	Strainer screen & gasket	1/2" - 1"	5, 7	1 set
A.95.5032.215	Cover gasket	1/2" - 1"	3	1 set

Recommended tightening torques:

POS.NR.	TRAP SIZE DN	Nm
4	1/2" - 1"	120
6	1/2" - 1"	50

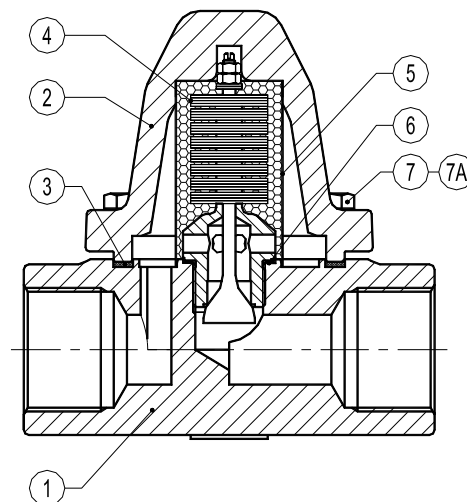
Remarks: Tighten cover bolts uniformly.


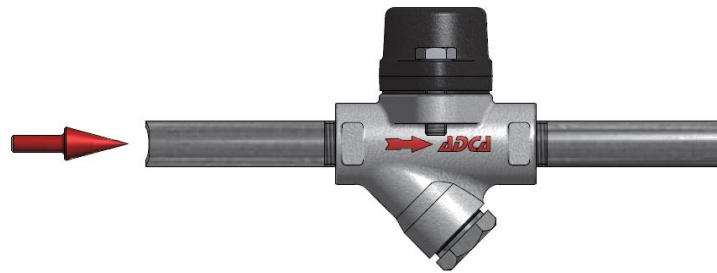
PARTS LIST FOR BM 32 DN40-50:

CODE	DESIGNATION	TRAP SIZE DN	POS.NR.	QTY.
A.95.5032.040	Valve regulator & gasket	1 1/2"-2"	3, 4	1 set
A.95.5032.140	Strainer screen & gasket	1 1/2"-2"	5, 6	1 set
A.95.5032.240	Cover gasket	1 1/2"-2"	3	1 set

Recommended tightening torques:

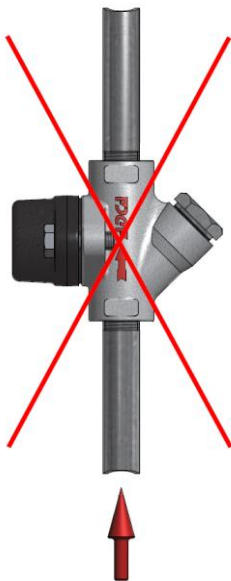
POS.NR.	TRAP SIZE DN	Nm
7	1 1/2" - 2"	120

Remarks: Tighten cover bolts uniformly.


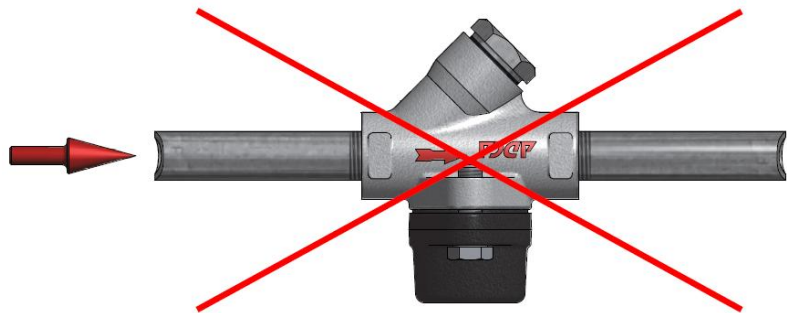


Recommended Installation

Acceptable in any position except:



Wrong Installation



Wrong Installation

PRODUCTS RETURNING



ATTENTION

- Information regarding any hazards and precautions to be considered because of contaminating fluids and residues or mechanical damage that may represent a health, safety or environmental risk, must be provided in writing by the distributors and costumers when returning products to Valsteam ADCA engineering.
- Health and safety data sheets regarding substances identified as hazardous or potentially hazardous must be provided with the information mention above.



ATTENTION

- **LOSS OF WARRANTY: Total or partial disregard of above instructions involves loss of any right to warranty.**