

INSTALLATION AND MAINTENANCE INSTRUCTIONS PACKAGED ADCAMAT AUTOMATIC PUMP POPK

GENERAL

- These instructions must be carefully read before any work involving products supplied by VALSTEAM ADCA ENGINEERING S.A. is undertaken.
- The installation procedure is a critical stage in a life of the equipment and care should be taken to avoid damage to the equipment.

Note:

- Current regional safety regulations should be taken in to account and followed, while doing the installation and maintenance work.
- Handling, installation and maintenance work must be carried out by trained personnel. A supervisor must follow and check all activities.
- For the problems that cannot be solve with the help of this instructions, please contact the supplier or the manufacturer.
- The manufacturer reserves the right to change the design and material of this product without notice.



ATTENTION

- If malfunction of any other equipment or system operation failure may result in a dangerous overpressure, over temperature or even vacuum condition, a safety device must be included in the system to prevent such situations.
- Do not touch the equipment without appropriate protection during working operation because it may conduct heat if the used fluid is at high temperature.
- Before starting maintenance be sure that the equipment is not pressurized or hot. Even if upstream and downstream isolating valves have been closed care should be taken since fluid under pressure may be trapped between them.
- The equipments must be used within the working temperature and pressure limits laid down for them, otherwise they may fail (refer to nameplate and/or IS- Information Sheet).
- You are advised to assess the risks considering the task, the individual, the load and the working environment.
- Before starting work ensure that you have suitable tools and/or consumables available. Use only genuine ADCA replacement parts.
- Do not remove the nameplate attached to the equipment. Serial number and other useful information is stamped on it.
- During the assembly work, apply protective measures against dirt.
- When connecting flanges, the bolts should be mounted from the counter flange side with the hexagon nuts from the valve side and it must exist a perfect match between the connection flanges.
- Tighten flange connection bolts uniformly in a diagonal sequence.
- Correct installation of the equipment is full responsibility of the contractor.
- For more information regarding the equipments that forms the set, please see the corresponding IMI and data sheet available in our website.

TRANSPORT AND STORAGE



- Handling and lifting of materials should be made with adequate equipments.
- Do not damage the paint job. It protects against corrosion during transportation and storage.
- Equipments should be protected from impacts and forces during transportation and storage.
- The manufacturer doesn't assume the responsibility of damaged equipments due to inappropriate handling during the transportation and storage. See figure below for correct position in transportation.

MOVIMENTATION

- When moving the ADCAmat Packaged, you must have special attention to how it is transported.
- The structure has openings for forks' stacker.

INSTALLATION



- Account for over pressure conditions, according with the local laws or standards.
- The ADCAmat Packaged must not be used with other purpose than the one they were built for.
- **Vent line must be unrestricted and self-draining to the receiver.**
- For the problems that cannot be solve with the help of this instructions, please contact the supplier or the manufacturer.

Installation area requirements:

- The installation area should have easy access and provide enough space for maintenance and removing operations.
- The installation area should have the necessary firing system to prevent damage of the equipment due to over temperature/pressure cause by fire.

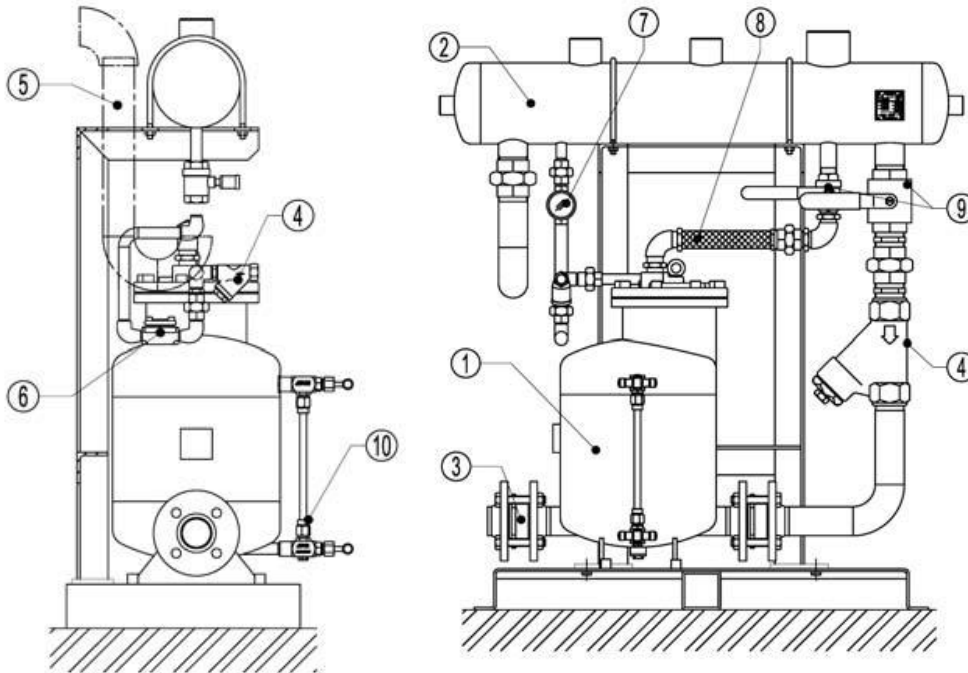
START UP



- Current regional safety regulations should be take in to account and followed.
- Protective insulation and warning notice may be required.
- Until the start up of an existing or a new plant, the following must be checked:
 - All works are completed.
 - The equipment is correctly installed.
 - All the necessary safety devices have been installed.
- At start up, the presence of small particles in the motive fluid (dirt, scale, weld splatters, joint particles, remains of Teflon tape, etc) may cause anomalies. If this occurs, proceed to an accurate cleaning.

Start up procedure valid for POPK-S, POPK-SD and POPK-ST

- Before commissioning, ensure that the overflow (5) is filled with a suitable amount of water and connected to a safe discharge point;
- Before feeding the pump(s), ensure that the motive fluid isolation valve is closed.;
- Open the isolating valve(s) of the motive fluid supply slowly;
- Open the isolation valves before and after the receiver (9) to feed the condensate into the receiver and pump;
- Check all the connections to ensure that there isn't any leakage;
- The pump(s) will start the pumping cycles.



STROKE COUNTER



- In order to ensure that the stroke counter works reliably, it is recommended a minimum backpressure of at least 500mbar on the pump's outlet RD40 check valve. If this value cannot be achieved, we recommend a RD40 with a strongest spring in the pump outlet connection.

Periodical checking:

- 24 hours after the start up, it is recommended to check pipe connections for leaks and retighten the connections if necessary.

MAINTENANCE



- For maintenance of individual components of the ADCAmat Packaged please see the relevant product IMI.

PRODUCTS RETURNING



- Information regarding any hazards and precautions to be considered because of contaminating fluids and residues or mechanical damage that may represent a health, safety or environmental risk, must be provided in writing by the distributors and costumers when returning products to Valsteam ADCA engineering.
- Health and safety data sheets regarding substances identified as hazardous or potentially hazardous must be provided with the information mention above.



- **LOSS OF WARRANTY:** Total or partial disregard of above instructions involves loss of any right to warranty.